

GCI-K1779P

2 MP Full HD Outdoor Motor. Dome IP-Camera 18x Zoom ICR WDR



- Full HD, 1920 x 1080p, 25/30 fps
- 18x motorized optical zoom
- Vandal Resistant Dome (IK10)
- WDR function, Colour/B&W function with removable IR cut filter
- H.264 & MJPEG compression modes
- ONVIF protocol support
- Micro SD/SDHC memory card slot for alarm image recording
- High Speed Pan/Tilt (400°/sec), minimum speed (0.5°/sec)
- Bidirectional Audio Support

SUMMARY

Network Cameras

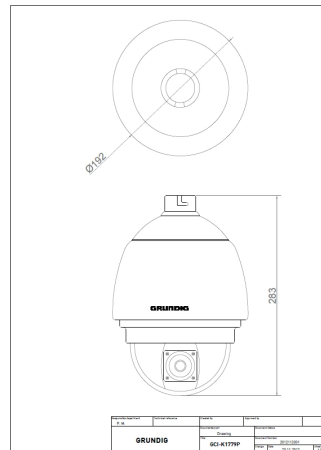
Intelligent, robust and stylish

IP technology greatly increases the effectiveness of video surveillance systems. Grundig has embraced this new technology and incorporated it into an extensive CCTV IP surveillance camera range. The new camera range includes PTZ and anti-vandal domes, for internal and external applications, with traditional box and specialist, compact casing designs also available. Each Grundig IP camera has impressive functionality, meeting every current surveillance requirement.

SPECIFICATIONS

Image Sensor	1/2.8" CMOS
Col/B&W	On/Off/Auto, IR-cut filter removable (ICR)
Pixels - Total	1920(H) x 1080(V)
Sensitivity Colour	0.05 Lux@F1.6 (IRE50)
Sensitivity B&W	0.001 Lux@F1.6 (IRE50)
BLC	On/Off + WDR
White Balance	Auto, Manual, Indoor, Outdoor, ATW
Number of Privacy Zones	16
Pan Speed	Manual: 0.5°/s ~ 90°/s, Preset: 400°/s (max.)
Tilt Speed	Manual: 0.5°/s ~ 90°/s, Preset: 400°/s (max.)
Range Panning	360° endless
Range Tilting	-10° ~ 190°
Number of Preset	256
Number of Pattern	8
Lens Drive Type	Auto iris (DC)
Focal Length	4.7 ~ 84.6 mm
Viewing Angle	H: 55.2° (Wide) ~ 3.2° (Tele)
Zoom Ratio	x 18
Alarm Inputs	4
Alarm Outputs	2
Web Browser	MS Internet Explorer 6.0 (or higher), Firefox, Google Chrome, Safari
Video Compression	Quad Stream: max.: H.264+H.264+H.264+H.264 or H.264+H.264+H.264+MJPEG
Video Resolution	1920 x 1080p, SXGA, 1280 x 720p, XGA, SVGA, 4CIF, VGA, CIF
Network Protocol	IPv4/v6, TCP/IP, UDP, RTP, RTSP, HTTP, HTTPS, DHCP, PPPoE, UPnP, SMTP, ICMP, IGMP, SNMP, IEEE802.1x, QoS, ONVIF, FTP
SD memory	supports up to 32 GB capacity of micro SD/SDHC memory
Alarm Event	Alarm Input, Motion Detection or Schedule: Image transfer or alarm message by FTP, Image transfer or alarm message by E-mail, recording on SD-card and enable alarm output
Audio Compression	G.711/G.726 ADPCM/AAC
Firmware Upgrade	Firmware upgrade by Web Browser
Operating Temperature	-40°C ~ +50°C
Protection Rating	IP66 / IK10
Regulation	CE, FCC, RoHS Compliant, IP66
Supply Voltage	24 VAC / hPoE (Heater works only with 24VAC)
Power Consumption	50 W
Weight	2,32 kg
Dimensions w*h*d	Ø192 x 283 mm

DIMENSIONS



ACCESSORIES



GBR-WA02
Wall Bracket for Motor Dome Cameras



GBR-CM01
Corner Mount Adapter



GBR-PM01
Pole Mount Adapter



GBR-CE01
Pendant Mount Bracket



GBR-AM02
Adapter Ring for Pelco Pendant Mount
with 1,5" NPT thread