

GCI-K1523V

2 Megapixel Full HD VF Dome IP-Camera 3~9mm ICR



- 2 Megapixel IP Camera with Full HD 1080P real time video streaming
- 3 Way Axis Gimbal, wall mountable
- Vandal Resistant Dome (IK10)
- Weatherproof Outdoor Installation (IP66)
- H.264 & MJPEG compression modes (max. 25 fps)
- ONVIF protocol support
- SD/SDHC memory card slot for alarm and schedule image recording
- Bidirectional Audio Support
- Power Input AC24V/DC12V and PoE

SUMMARY

Network Cameras

Intelligent, robust and stylish

IP technology greatly increases the effectiveness of video surveillance systems. Grundig has embraced this new technology and incorporated it into an extensive CCTV IP surveillance camera range. The new camera range includes PTZ and anti-vandal domes, for internal and external applications, with traditional box and specialist, compact casing designs also available. Each Grundig IP camera has impressive functionality, meeting every current surveillance requirement.

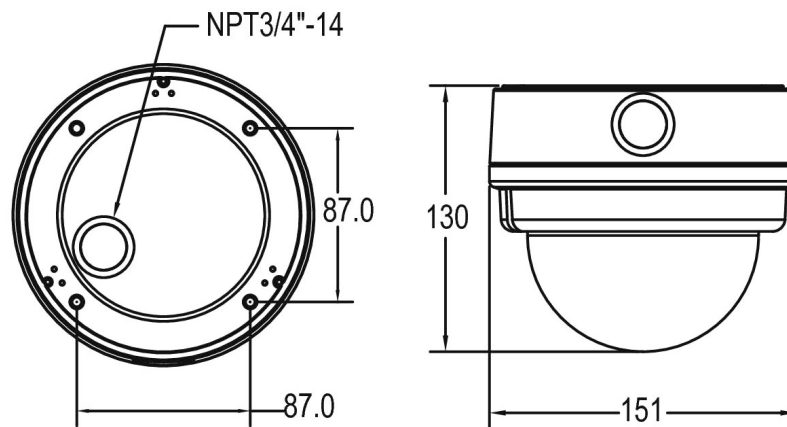
SPECIFICATIONS

Image Sensor	1/2.7" CMOS, 2 Megapixel
Pixels - Total	1920(H) x 1080(V)
Col/B&W	On/Off/Auto, IR-cut filter removable (ICR)
Sensitivity Colour	0.5 Lux@F1.2 (IRE50), 0.2 Lux@F1.2 (IRE30)
Sensitivity B&W	0.1 Lux@F1.2 (IRE50), 0.02 Lux@ F1.2 (IRE30)
Lens Drive Type	Auto iris (DC)
Lens Focal Length	3 ~ 9 mm
Viewing Angle	approx. 104°(H) ~ 33°(V)
BLC	On/Off
WDR	96dB
Digital Noise Reduction (DNR)	On/off 2D/3D Noise Filter
Motion Detection	On/ Off/ Sensitivity/ Area setting
Tampering Alarm	On/Off
Privacy zones	5 zones, rectangle
White Balance	ATW, AWB, Manual
Digital Zoom	Yes
Shutter Speed	1 sec to 1/10,000 sec
Alarm Inputs	1
Alarm Outputs	1
Web Browser	MS Internet Explorer 6.0 (or higher), Firefox, Google Chrome, Safari
Number of Clients	Up to 20 user
Video Compression	H.264, MJPEG
Video Resolution	Full HD 1080p/ SXGA/ HD 720p/ XGA/SVGA/ 4CIF/ VGA/ CIF
Video Streaming	Quad stream: max.: H.264+H.264+H.264+H.264 or H.264+H.264+H.264+MJPEG
Network Protocol	IPv4/v6, TCP/IP, UDP, RTP, RTSP, HTTP, HTTPS, DHCP, PPPoE, UPnP, SMTP, ICMP, IGMP, SNMP, IEEE802.1x, QoS, ONVIF
SD memory	supports up to 32 GB capacity of micro SD/SDHC memory
Alarm Event	Alarm Input, Motion Detection or Schedule: Image transfer or alarm message by FTP, Image transfer or alarm message by E-mail, recording on SD-card, enable alarm output and send HTTP notification
Audio Compression	G.726, G.711
LED Indicator	Power, link, active
Video Outputs	1Vpp, BNC
Input/Output sockets	Video Out(BNC), Power(3-Pin Term), RJ-45, Micro SD Card Slot, Alarm Terminal 4-Pin (Alarm In 2-Pin, Alarm Out 2-Pin photo relay 300VDC/AC), Audio (4-Pin)
Firmware Upgrade	Firmware upgrade by Web Browser
Configuration	Upload & Download configuration on remote PC
Protection Rating	IP66
Operating Temperature	-10°C ~ +50°C
Humidity	10 ~ 90% no condensation
Regulation	CE, FCC, RoHS Compliant

SPECIFICATIONS

Supply Voltage	12 VDC / 24 VAC / PoE IEEE 802.3af
Power Consumption	5 W
Weight	0.8 kg
Dimensions w*h*d	Ø 151 x 131 mm

DIMENSIONS



ACCESSORIES



GBR-VC02S
Smoked Bubble Cover for
Vandal-Resistant IP Dome Cameras



GBR-IC02
Flush-Mount Adapter for
Vandal-Resistant IP Dome Camera



GBR-CM02
Corner Mount Adapter for
Vandal-Resistant IP Dome Camera

ACCESSORIES



GHO-M018
External housing, for vandal-resistant,
IP dome camera



GBR-WA02
Wall Bracket for Motor Dome Cameras



GBR-CM01
Corner Mount Adapter



GBR-PM01
Pole Mount Adapter



GBR-CE01
Pendant Mount Bracket



GBR-AM02
Adapter Ring for Pelco Pendant Mount
with 1,5" NPT thread
