

GCI-K0779P

2 MP Full HD Indoor Motor. Dome IP-Camera 18x Zoom ICR WDR



- Full HD, 1920 x 1080p, 25/30 fps
- 18x motorized optical zoom
- WDR function, Colour/B&W function with removable IR cut filter
- H.264 & MJPEG compression modes
- ONVIF protocol support
- Micro SD/SDHC memory card slot for alarm image recording
- High Speed Pan/Tilt (400°/sec), minimum speed (0.5°/sec)
- Bidirectional Audio Support

SUMMARY

Network Cameras

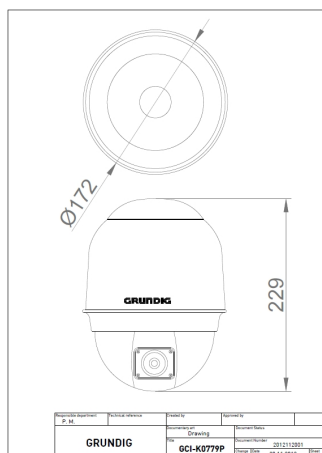
Intelligent, robust and stylish

IP technology greatly increases the effectiveness of video surveillance systems. Grundig has embraced this new technology and incorporated it into an extensive CCTV IP surveillance camera range. The new camera range includes PTZ and anti-vandal domes, for internal and external applications, with traditional box and specialist, compact casing designs also available. Each Grundig IP camera has impressive functionality, meeting every current surveillance requirement.

SPECIFICATIONS

| | |
|-------------------------|--|
| Image Sensor | 1/2.8" CMOS |
| Col/B&W | On/Off/Auto, IR-cut filter removable (ICR) |
| Pixels - Total | 1920(H) x 1080(V) |
| Sensitivity Colour | 0.05 Lux@F1.6 (IRE50) |
| Sensitivity B&W | 0.001 Lux@F1.6 (IRE50) |
| BLC | On/Off + WDR |
| White Balance | Auto, Manual, Indoor, Outdoor, ATW |
| Camera ID | 20 character |
| Number of Privacy Zones | 16 |
| Pan Speed | Manual: 0.5°/s ~ 90°/s, Preset: 400°/s (max.) |
| Tilt Speed | Manual: 0.5°/s ~ 90°/s, Preset: 400°/s (max.) |
| Range Panning | 360° endless |
| Range Tilting | -10° ~ 190° |
| Number of Preset | 256 |
| Number of Pattern | 8 |
| Lens Drive Type | Auto Iris |
| Focal Length | 4.7 ~ 84.6 mm |
| Viewing Angle | H: 55.2°(Wide) ~ 3.2°(Tele) |
| Zoom Ratio | x 18 |
| OSD | Yes |
| Alarm Inputs | 4 |
| Alarm Outputs | 2 |
| Web Browser | MS Internet Explorer 6.0 (or higher), Firefox, Google Chrome, Safari |
| Video Compression | Quad Stream: max.: H.264+H.264+H.264+H.264 or H.264+H.264+H.264+MJPEG |
| Video Resolution | 1920 x 1080p, SXGA, 1280 x 720p, XGA, SVGA, 4CIF, VGA, CIF |
| Network Protocol | IPv4/v6, TCP/IP, UDP, RTP, RTSP, HTTP, HTTPS, DHCP, PPPoE, UPnP, SMTP, ICMP, IGMP, SNMP, IEEE802.1x, QoS, ONVIF, FTP |
| SD memory | supports up to 32 GB capacity of micro SD/SDHC memory |
| Alarm Event | Alarm Input, Motion Detection or Schedule: Image transfer or alarm message by FTP, Image transfer or alarm message by E-mail, recording on SD-card and enable alarm output |
| Audio Compression | G.711/G.726 ADPCM/AAC |
| Firmware Upgrade | Firmware upgrade by Web Browser |
| Operating Temperature | 0°C ~ +40°C |
| Regulation | CE, FCC, RoHS Compliant |
| Supply Voltage | 24 VAC / hPoE |
| Power Consumption | 20 W |
| Weight | 1.62 kg |
| Dimensions w*h*d | Ø 172 X 229 mm |

DIMENSIONS



ACCESSORIES



GBR-IC05
Ceiling Flush Mount Adapter



GBR-AM03
Hanging Mount Adapter for GCI-K0779P



GBR-WA02
Wall Bracket for Motor Dome Cameras



GBR-CM01
Corner Mount Adapter



GBR-PM01
Pole Mount Adapter

ACCESSORIES



GBR-CE01
Pendant Mount Bracket



GBR-AM02
Adapter Ring for Pelco Pendant Mount
with 1,5" NPT thread
