

GCI-K0589T

2 MP Full HD CMOS Bullet IP-Camera ICR IRLED w/motorised lens



- Motorized Vario Focal lens (Zoom & Focus), DC Iris
- Dual Video Stream real time 25 fps, 1920 x 1080p + 720 x 576
- Day/Night feature with IR cut filter removable (ICR)
- 0 Lux: Integrated LED IR Illuminator
- Wide Dynamic Range (WDR), Digital Noise Reduction (DNR)
- Weatherproof Outdoor Installation (IP66)
- ONVIF protocol support
- Bidirectional Audio Support
- Power Input AC24V/DC12V and PoE

SUMMARY

Network Cameras

Intelligent, robust and stylish

IP technology greatly increases the effectiveness of video surveillance systems. Grundig has embraced this new technology and incorporated it into an extensive CCTV IP surveillance camera range.

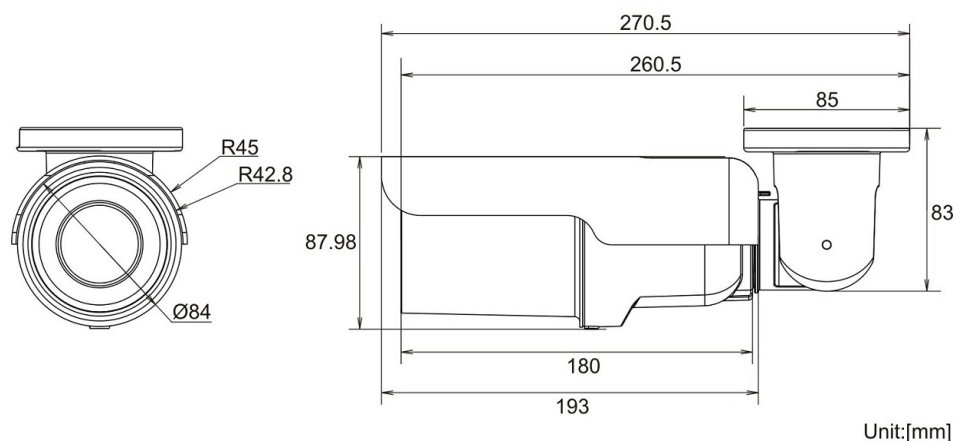
The new camera range includes PTZ and anti-vandal domes, for internal and external applications, with traditional box and specialist, compact casing designs also available. Each Grundig IP camera has impressive functionality, meeting every current surveillance requirement.

New models with motorized varifocal help the installer to reduce the cost in many ways: easy to adjust the lens, not necessary to put a ladder to adjust angle of view, night setup from remote place.

SPECIFICATIONS

Image Sensor	1/2.7" CMOS, 2 Megapixel
Pixels - Total	1920(H) x 1080(V)
Col/B&W	On/Off/Auto, IR-cut filter removable (ICR)
Sensitivity Colour	0.2 lux @ F1.2
Sensitivity B&W	0.02 lux @ F1.2
Focal Length	3 ~ 9 mm
Lens Drive Type	motorized Zoom & Focus, DC Auto Iris
IR LED	23 pcs., 71° beaming angle
Max. IR Distance	15/25 m (according to scene reflexion)
Motion Detection	On/ Off/ Sensitivity/ Area setting
Camera ID	20 character
White Balance	ATW, Manual
Shutter Speed	1 sec to 1/10,000 sec
Alarm Inputs	1
Alarm Outputs	1
Web Browser	MS Internet Explorer 6.0 (or higher), Firefox, Google Chrome, Safari
Number of Clients	Up to 20 user
Video Compression	H.264, MJPEG
Video Streaming	Quad stream: max.: H.264+H.264+H.264+H.264 or H.264+H.264+H.264+MJPEG
Video Resolution	1920 x 1080(25 fps) + 720x576(25fps), 1920 X 1080(2x13 fps)
Network Protocol	IPv4/v6, TCP/IP, UDP, RTP, RTSP, HTTP, HTTPS, DHCP, PPPoE, UPnP, SMTP, ICMP, IGMP, SNMP, IEEE802.1x, QoS, ONVIF, FTP
SD memory	supports up to 32 GB capacity of micro SD/SDHC memory
Alarm Event	Alarm Input, Motion Detection, Tampering: Alarm Out by http, FTP, E-mail, recording on Micro SD-card
Audio Compression	G.726, G.711
Video Outputs	1 CVBS (1Vpp), BNC
Firmware Upgrade	Firmware upgrade by Web Browser
Configuration	Upload & Download configuration on remote PC
Input/Output sockets	Video Out(BNC), Power(3-Pin Term), RJ-45, Micro SD Card Slot, Alarm Terminal 4-Pin (Alarm In 2-Pin, Alarm Out 2-Pin), Audio (2 mini Jack 3.5mm)
Protection Rating	IP66
Operating Temperature	-10°C ~ +50°C
Humidity	10 ~ 90% no condensation
Regulation	CE, FCC, RoHS Compliant
Supply Voltage	12 VDC / 24 VAC / PoE IEEE 802.3af
Power Consumption	12 W
Weight	1 kg
Dimensions w*h*d	max. Ø 88 x 287 mm

DIMENSIONS



GCI-K0523T with stretched bracket

