

GCA-C0345P

Motorized Dome Day/Night Camera, 36x Zoom, WDR



- 36x motorized optical zoom with 12x digital zoom
- High Speed Pan/Tilt (400°/sec), minimum speed (0.5°/sec)
- WDR function, Colour/B&W function with removable IR cut filter
- 1/4" Super-HAD II CCD *
- 650 TV Lines
- Digital Noise Reduction
- RS485 - Multiprotocol
- For indoor use

SUMMARY

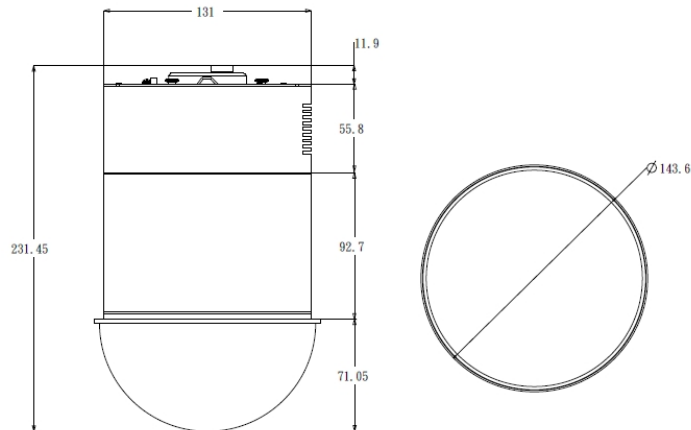
The GRUNDIG Swiftdome Cameras are suitable for both outdoor and indoor use. The robust vandal resistant housing with sun shield protects the camera not only against weather but also against physical attacks. Of course, the cameras also offer a variety of alarm inputs and a privacy zone function. Even in difficult lighting situations, the cameras are able to provide superior images. Due to the large focal length range of the zoom module and the fast rotation motor, the cameras are particularly suitable for monitoring large outdoor areas, spacious warehouses, supermarkets, or driveways. Even at great distances, individuals can be identified or perceived.

When positioned correctly, one GRUNDIG Swiftdome Camera allows you to save a multitude of fix cameras.

SPECIFICATIONS

Image Sensor	1/4" CCD (Super HAD 2 CCD)
Sensitivity	0.1 lux (Colour) / 0.01 lux (B&W)
Col/B&W	On/Off/Auto, IR-cut filter removable (ICR)
Pixels - Total	976x582 (570k)
Focal Length	3.4 ~ 122.4 mm
Zoom Ratio	x 36
Digital Zoom	Off/1 ~ 12x
Lens Drive Type	Auto iris (DC)
Resolution	650 (H) lines
BLC	On/Off
WDR	Off/Low/Middle/High
White Balance	Auto / Manual
Camera ID	20 character
Number of Privacy Zones	16
Pan Speed	Manual: 0.5°/s ~ 90°/s, Preset: 400°/s (max.)
Tilt Speed	Manual: 0.5°/s ~ 90°/s, Preset: 400°/s (max.)
Range Panning	360° endless
Range Tilting	-10° ~ 190°
Number of Preset	256
Number of Pattern	8
OSD	Yes
Alarm Inputs	4
Alarm Outputs	1
Regulation	CE, FCC, RoHS Compliant
Operating Temperature	0°C ~ +40°C
Humidity	less than 90%, non condensing
Supply Voltage	24 VAC
Power Consumption	20 W
Weight	1.6 kg
Dimensions w*h*d	ø131 x 226 mm

DIMENSIONS



ACCESSORIES



GAC-B0202A
Smoked Dome Cover for GCA-C0345P



GBR-IC03
Ceiling Flush Mount Adapter



GBR-AM01
Hanging Mount Adapter for
GCI-C0735P, GCA-C0335P, GCA-C0345P



GBR-WA02
Wall Bracket for Motor Dome Cameras



GBR-CM01
Corner Mount Adapter

ACCESSORIES



GBR-PM01
Pole Mount Adapter



GBR-CE01
Pendant Mount Bracket



GBR-AM02
Adapter Ring for Pelco Pendant Mount
with 1,5" NPT thread