

GCA-B1323VR

1/3" CCD Col/B&W Fixed Dome Camera



- Digital Signal Processor with Motion Adaptive Digital Noise Reduction (DNR), On Screen Menu (OSD), Digital Image Stabilisation (DIS), Picture in Picture (PiP), H/V Reverse and Privacy Zones
- Rugged antivandal body made of die-cast aluminium with polycarbonate lower dome for outdoor application
- CCVC (Camera Control Via Coaxial Cable)
- Intelligent Video Content Analysis with Motion Tracking
- Built-in Service Monitor Port & OSD Control Port
- 3 Axis Gimbal, 3 ways to mount: Wall/Ceiling Flat, Wall/Ceiling Angle and Flush
- TAMRON Varifocal Lens: $f = 2.8 - 10.5$ mm, auto iris
- Removable IR CUT Filter (ICR) for high IR sensitivity at night mode
- Power Input AC24V/DC12V

SUMMARY

Grundig Analogue DSP Cameras

High quality, reliable and effective.

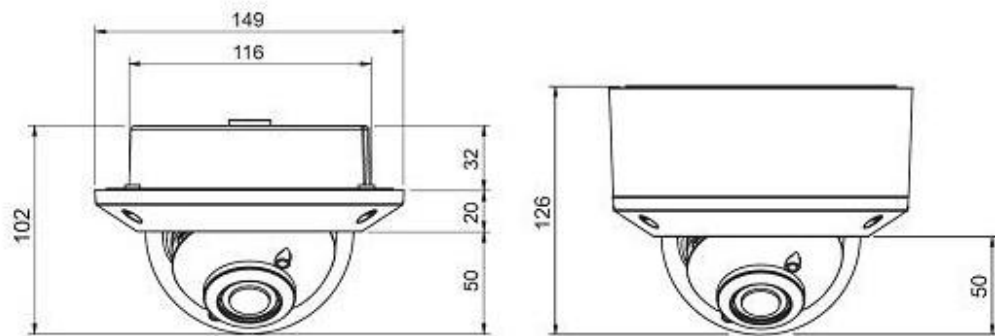
Grundig analogue cameras have been designed and built to the very highest standards. Grundig has selected components which deliver outstanding image quality, including the very best image sensors, lenses and digital signal processors (DSPs). The cameras have been designed for up-to-date surveillance applications, incorporating functionality such as extended dynamic range, motion adaptive digital noise reduction, intelligent video analytics and more.

All the cameras in the Grundig analogue range have unique features in different housings to suit all eventualities. Outdoor options include Bullet cameras with infrared LED and vandal-resistant domes and indoor options include a large range of dome cameras

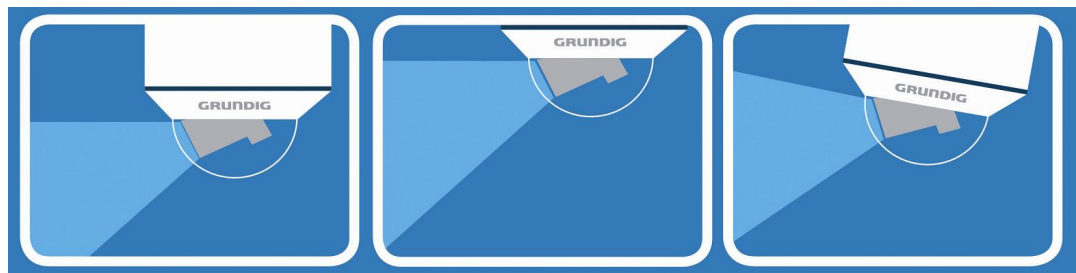
SPECIFICATIONS

Image Sensor	1/3" CCD (Sony Super HAD IT)
Scanning System	PAL, 50Hz, 625L (V), 2:1 Inter Line Transfer
Image Size	Pixel Total: 795 x 596, Pixel Effective: 752 x 582
Resolution	600 (H) lines
Col/B&W	On/Off/Auto/Ext, IR-cut filter removable (ICR)
Sensitivity Colour	0.4 lux @ 50IRE F1.2, 0,001 lux sens up 256x
Sensitivity B&W	0.04 Lux(50IRE) 0.00004 Lux (15IRE, sense up x256)
S/N Ratio	>52 dB
Lens Drive Type	Auto iris (DC)
Lens Focal Length	2.8 ~ 10.5 mm (TAMRON)
Viewing Angle	93.7°(H) ~ 28.3°(V)
Sens Up	Off ~ x256, auto
Motion Detection	On/ Off/ Sensitivity/ Area setting
Number of Privacy Zones	8 (polygonal method)
High Speed Shutter	1/50 ~ 1/10.000 sec, auto
BLC	On/ Off/ Area/ Level
AGC	Off/ On (Very LOW/ LOW/ Mid /High /Very High/ User/ Fix)
Digital Noise Reduction (DNR)	Off / On (Low/Middle/High/User)
Digital Zoom	Off/1 ~ 10x
Digital Image Stabilization (DIS)	Off/On
PIP	On/Off
Reverse	Off/ H-REV/ V-REV/ HV-REV/ POSITIV/ NEGATIV
Intelligent Video Analytics	Tracking/Detection
OSD	Yes, EN/CZ/PL/RU/TR
Camera ID	54 character, 2 lines
White Balance	ATW-1/ATW-2/AWC/Manual
Protection Rating	IP66 / IK10
Remote Control	CCVC, data on coax cable
Video Outputs	1 CVBS 1 Vpp (BNC) & 1 test monitor out
Accessories included	Cable for service monitor with service remote control
Humidity	less than 90%, non condensing
Operating Temperature	-10°C ~ +50°C
Supply Voltage	12 VDC/24 VAC
Power Consumption	2.4 W
Weight	1.12 kg
Dimensions w*h*d	Ø 152 x 126 mm

DIMENSIONS



3 Ways to Mount



With standard bracket, Vandalproof dome allows only tangential view along the lid. The bracket enables inclined by increasing the angle of vision to monitor the wall supporting the camera. It is ideal for monitoring of ATMs, access, display cases.

ACCESSORIES



GBR-WA01
Wall bracket for GCA-BxxxxV series



GHT-24V
Fan/Heater kit for GCA-xxxxV series

ACCESSORIES



GBR-VC01S
Smoked dome cover for GCA-BxxxxV



GBR-VC01
Clear dome cover for GCA-BxxxxV



GBR-IC04
Ceiling Flush Mount Adapter



GBR-FB01
Flat Base for GCA-BxxxxV camera series