

GCA-B1323TRH

1/3" Outdoor Varifocal Camera with IR LED



- Digital Signal Processor with Motion Adaptive Digital Noise Reduction (DNR), On Screen Menu (OSD), Digital Image Stabilisation (DIS), Picture in Picture (PiP), H/V Reverse and Privacy Zones
- Concealed Cable Management
- CCVC (Camera Control Via Coaxial Cable)
- Intelligent Video Content Analysis with Motion Tracking
- Built-in Service Monitor Port & OSD Control Port
- Varifocal Lens: $f = 6 - 50$ mm, auto iris, external adjustment
- 0 Lux: Integrated LED IR Illuminator
- Included heater and fan for extreme low temperature use
- Power Input AC24V/DC12V

SUMMARY

Grundig Analogue DSP Cameras

High quality, reliable and effective.

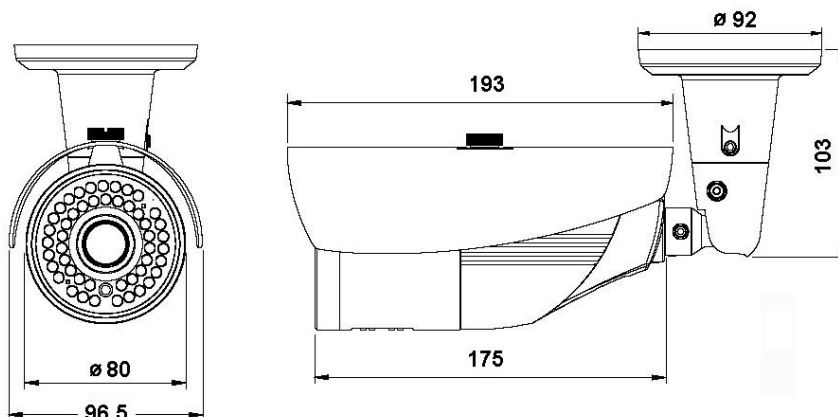
Grundig analogue cameras have been designed and built to the very highest standards. Grundig has selected components which deliver outstanding image quality, including the very best image sensors, lenses and digital signal processors (DSPs). The cameras have been designed for up-to-date surveillance applications, incorporating functionality such as extended dynamic range, motion adaptive digital noise reduction, intelligent video analytics and more.

All the cameras in the Grundig analogue range have unique features in different housings to suit all eventualities. Outdoor options include Bullet cameras with infrared LED and vandal-resistant domes and indoor options include a large range of dome cameras

SPECIFICATIONS

Image Sensor	1/3" CCD (Sony Super HAD IT)
Scanning System	PAL, 50Hz, 625L (V), 2:1 Inter Line Transfer
Image Size	Pixel Total: 795 x 596, Pixel Effective: 752 x 582
Resolution	600 (H) lines
Col/B&W	On/Off/Auto/Ext, IR-cut filter removable (ICR)
Sensitivity Colour	0.4 Lux(50IRE) 0.001 Lux (15IRE, sense up x256)
Sensitivity B&W	0 Lux LED IR on
S/N Ratio	>52 dB
Lens Drive Type	Auto iris (DC)
Lens Focal Length	6 ~ 50 mm
Adjustment zoom and focus	External
Sens Up	Off ~ x256, auto
Motion Detection	On/ Off/ Sensitivity/ Area setting
Number of Privacy Zones	8 (polygonal method)
High Speed Shutter	1/50 ~ 1/10.000 sec, auto
AGC	Off/ On (Very LOW/ LOW/ Mid /High /Very High/ User/ Fix)
BLC	On/ Off/ Area/ Level
Digital Noise Reduction (DNR)	Off / On (Low/Middle/High/User)
Digital Image Stabilization (DIS)	Off/On
Additional Features	Digital Zoom, PIP, H/V Reverse, Positive/Negative inversion
Intelligent Video Analytics	Tracking/Detection
OSD	Yes, EN/CZ/PL/RU/TR
Camera ID	54 character, 2 lines
White Balance	ATW-1/ATW-2/AWC/Manual
IR LED	48 pcs.
Optical Wavelength	850 nm
Max. IR Distance	45/70 m (according to scene reflexion)
Protection Rating	IP66
Remote Control	CCVC, data on coax cable
Video Outputs	1 CVBS 1 Vpp (BNC) & 1 test monitor out
Accessories included	Cable for service monitor with service remote control
Humidity	less than 90%, non condensing
Operating Temperature	-50°C ~ +50°C
Supply Voltage	12 VDC/24 VAC
Power Consumption	9.6 (19 heater on) W
Weight	1.4 kg
Dimensions w*h*d	Ø 80 x 178 mm

DIMENSIONS



Easy Installation



External Adjustment and Test Monitor Output