

GCA-B0324V

1/3" CMOS Col/B&W Fixed Dome Camera, WDR



- 1/3" CMOS Pixim SEAWOLF Sensor
- 3 Axis Gimbal, 3 ways to mount: Wall/Ceiling Flat, Wall/Ceiling Angle and Flush
- 690 (colour) 800 (b&w) TV Lines Horizontal Resolution
- WDR function, Colour/B&W function with removable IR cut filter
- Digital Noise Reduction
- On- screen- menus
- TAMRON Varifocal Lens: f = 2.8 - 10.5 mm, auto iris
- Weatherproof Outdoor Installation (IP66)
- Power Input AC24V/DC12V

SUMMARY

Grundig Analogue DSP Cameras

High quality, reliable and effective.

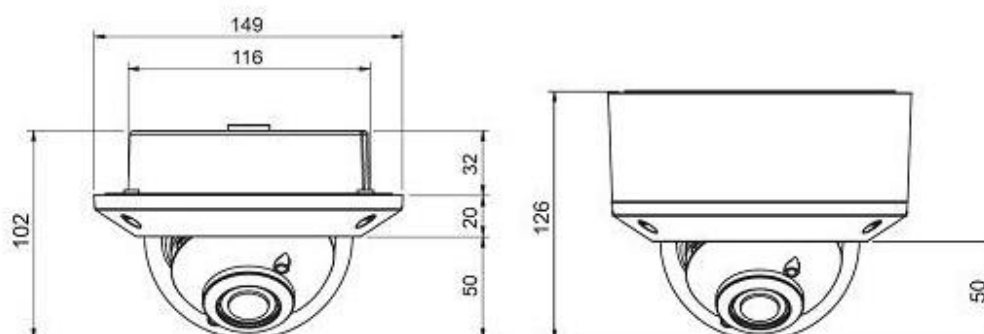
Grundig analogue cameras have been designed and built to the very highest standards. Grundig has selected components which deliver outstanding image quality, including the very best image sensors, lenses and digital signal processors (DSPs). The cameras have been designed for up-to-date surveillance applications, incorporating functionality such as extended dynamic range, motion adaptive digital noise reduction, intelligent video analytics and more.

All the cameras in the Grundig analogue range have unique features in different housings to suit all eventualities. Outdoor options include Bullet cameras with infrared LED and vandal-resistant domes and indoor options include a large range of dome cameras

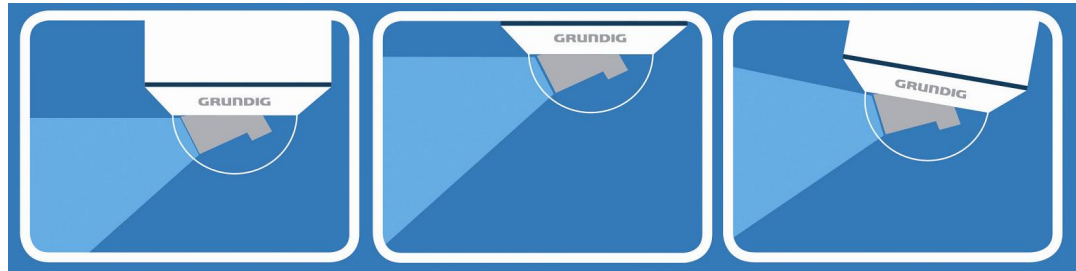
SPECIFICATIONS

Image Sensor	1/3" CMOS DSP SEAWOLF Chipset (PIXIM)
Pixels - Effective	768 x 540
Resolution	690 (H) lines colour, 800 (H) lines b&w
Col/B&W	Colour/B&W/Auto, IR-cut filter removable (ICR)
Sensitivity	0.1 lux (Colour) / 0.01 lux (B&W)
S/N Ratio	>52 dB
Lens Focal Length	2.8 ~ 10.5 mm (TAMRON)
Lens Drive Type	Auto iris (DC)
Viewing Angle	93.7°(H) ~ 28.3°(V)
Shutter Speed	1/25 sec to 1/30,720 sec
AGC	Low, middle, high, custom
BLC	On/Off + WDR (Low, normal, middle, high, custom)
Digital Noise Reduction (DNR)	Off/Low/Mid/High
OSD	Yes, E/D/F/I
Wide Dynamic Range	102dB, Max: 120dB
White Balance	ATW, AWB, Manual
Humidity	less than 90%, non condensing
Protection Rating	IP66 / IK10
Video Outputs	1 CVBS (1Vpp), BNC
Accessories included	Cable for service monitor with service remote control
Operating Temperature	-10°C ~ +50°C
Supply Voltage	12 VDC/24 VAC
Power Consumption	5.8 W
Weight	1.12 kg
Dimensions w*h*d	Ø 152 x 126 mm

DIMENSIONS



3 Ways to Mount



With standard bracket, Vandalproof dome allows only tangential view along the lid. The bracket enables inclined by increasing the angle of vision to monitor the wall supporting the camera. It is ideal for monitoring of ATMs, access, display cases.

ACCESSORIES



GBR-WA01
Wall bracket for GCA-BxxxxV series



GHT-24V
Fan/Heater kit for GCA-xxxxV series



GBR-VC01S
Smoked dome cover for GCA-BxxxxV