

GML-1930M

48 cm (19") LCD/TFT Monitor LED Backlight



- Displays a full, flat 19" (48cm) diagonal image
- LED Backpanel illumination
- Energy-saving (green technology)
- 2 CVBS looped, 1 HDMI, VGA video inputs
- Scratch protection glass with anti-reflection coating

SUMMARY

The GML-1730M (17") and GML-1930M (19") contain LED backlight technology as opposed to traditional cold cathode fluorescent lamp (CCFL) backlighting. LED backlight technology has been shown to double the MTBF (Mean Time Before Failure) of flat screens from 50,000 hours to a massive 100,000 hours. The LED backlighting also offers significant energy savings, with a 35% drop in power consumption from between 20W and 30W to a mere 15W. The monitor images are also more natural-looking and accurate, due to higher contrast levels and a darker black level.

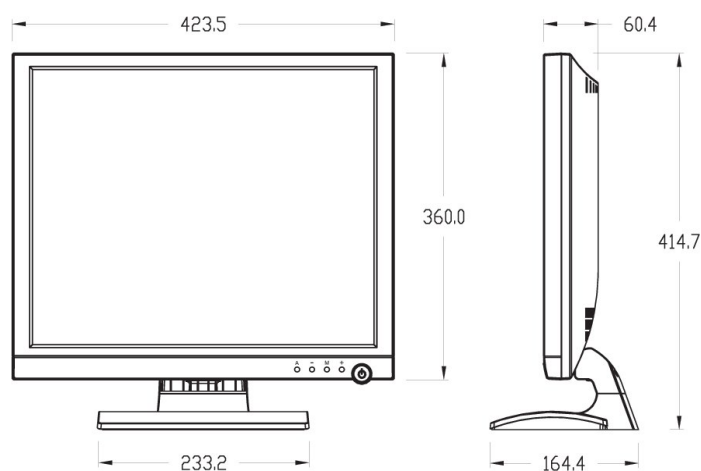
Advanced image enhancement technology in each model includes a 3D comb filter and decoder, which reduce ghost imaging. There is also built-in de-interlacing, noise reduction and PIP (picture-in-picture) and PBP (picture-by-picture) operation.

Grundig's LED flat-screens are very robust. The front panels are made from scratch-resistant glass and are coated in an anti-reflection coating to reduce room reflections. The monitors fit to standard VESA bracket sizes with HDMI, VGA, Audio, 2x BNC IN and 2x BNC loop video connections and remote control.

SPECIFICATIONS

| | |
|-----------------------|--|
| LCD Panel size | 19" Diagonal AM-TFT LED Backlight |
| Pixels - Total | 1280(H) x 1024(V) |
| Pixel Pitch | 0.294 mm(H) x 0.294 mm(V) |
| Resolution | 1280 x 1024 pixel, 650(H) TV Lines |
| Aspect Ratio | 5 : 4 |
| Video Standard | PAL/NTSC |
| Video Inputs | 2 CH Composite, BNC, Looped 1 HDMI, 1 CH VGA |
| Audio Inputs | 3 CH (stereo),(1xHDMI, 1xCinch (L/R), 1xTRS Connector) |
| Brightness | 300 cd/m ² |
| Contrast ratio | 10.000:1 |
| Number of Colours | 16.7 million |
| Viewing Angle | 170°(H) ~ 160°(V) |
| Response Time | 5 ms |
| Display protection | Tempered Glass |
| Speaker Output | 3W (2x1.5W built-in) |
| PIP | On/Off |
| PBP | On/Off |
| MTBF at 25° C | > 100,000 hours |
| Operating Temperature | 0°C ~ +40°C |
| Humidity | 10 ~ 90% no condensation |
| Storage Temperature | -10°C ~ +60°C |
| Suitable for | VESA 75 |
| Supply Voltage | 12VDC, (100~240VAC, 50/60Hz) |
| Power Consumption | 15 W |
| Weight | 3.5 kg |
| Dimensions w*h*d | 424 x 415 x 165 mm |

DIMENSIONS



FRONT & REAR VIEW

