

GCH-K0323D

2 Megapixel Full HD CMOS Fixed Dome HD-SDI Camera ICR



- Full HD, 1920 x 1080p, 25/30 fps over coax
- Digital Noise Reduction
- Back light compensation for various light conditions
- Wall mounting
- Power Input AC24V/DC12V

SUMMARY

Based on the Television Standard for FullHD Television, HD-SDI products feature up to 2 Megapixel (1920x1080) pictures in real-time (30fps) transmitted over coax cabling.

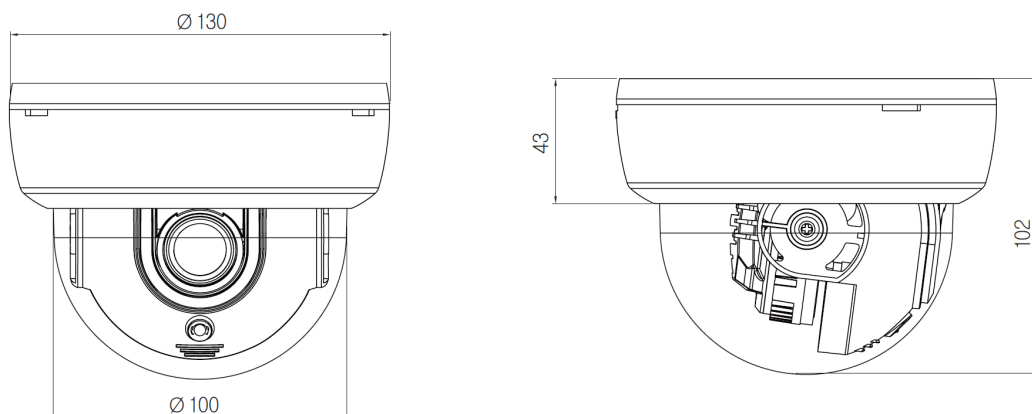
Get the advantages of IP technology without their drawbacks. Get 16:9 megapixel pictures without network configuration, bandwidth problems and network security risks. Use existing coax cables and only exchange the cameras and recorders. Get a "real" live picture and see the things that happen in the now, not a few seconds ago. Connect a monitor directly to a camera using only a HD-SDI-to-HDMI converter.

HD-SDI products are easy to handle, easy to install and produce amazing high quality pictures.

SPECIFICATIONS

| | |
|-------------------------------|--------------------------------------------|
| Image Sensor | 1/2.8" CMOS Sony Exmor, 2.4 Megapixel |
| Pixels - Total | 2000(H) x 1121(V) |
| Pixels - Effective | 1984(H) x 1105(V), 2.19M pixels |
| Scanning System | Progressive |
| Image Size | 1920x1080 |
| Frame Rate | 30, 25 fps at 1080p |
| Sensitivity Colour | 0.5 Lux @ F1.2 (IRE50) |
| Sensitivity B&W | 0.3 Lux @ F1.2 (IRE50) |
| Sens Up | Off ~ x64 |
| S/N Ratio | 50 dB |
| Video Outputs | 1 Ch HD-SDI BNC or 1 Ch Composite BNC |
| Focal Length | 2.8 ~ 10 mm |
| Lens Drive Type | DC Auto Iris |
| High Speed Shutter | 1/25 ~ 1/60.000 sec |
| Shutter Mode | Auto / Fix |
| Col/B&W | On/Off/Auto, IR-cut filter removable (ICR) |
| OSD | Yes |
| Number of Privacy Zones | 32 |
| BLC | WDR / BLC / HLC / OFF |
| Digital Noise Reduction (DNR) | Off/Low/Mid/High (Adaptive 3D + 2D) |
| Motion Detection | On/ Off/ Sensitivity/ Area setting |
| White Balance | ATW, AWB, Manual, Preset |
| Operating Temperature | 0°C ~ +50°C |
| Storage Temperature | -20°C ~ +60°C |
| Humidity | less than 85% |
| Supply Voltage | 12 VDC/24 VAC |
| Power Consumption | 3 W |
| Weight | 0.6 kg |
| Dimensions w*h*d | Ø130 x 102 mm |

DIMENSIONS



ACCESSORIES



GBR-WA05
Wall bracket for GCH-KxxxxD series